

# Dell™ E-Flat Panel Stand

## User's Guide

# Notes, Notices, and Cautions



**NOTE:** A NOTE indicates important information that helps you make better use of your computer.



**NOTICE:** A NOTICE indicates either potential damage to hardware or loss of data and tells you how to avoid the problem.



**CAUTION:** A CAUTION indicates a potential for property damage, personal injury, or death.

---

**Information in this document is subject to change without notice.**

© 2008 Dell Inc. All rights reserved.

Reproduction in any manner whatsoever without the written permission of Dell Inc. is strictly forbidden.

Trademarks used in this text: *Dell* and the *DELL* logo are trademarks of Dell Inc.; *VESA* is a registered trademark of Video Electronics Standards Association.

Other trademarks and trade names may be used in this document to refer to either the entities claiming the marks and names or their products. Dell Inc. disclaims any proprietary interest in trademarks and trade names other than its own.

# Contents

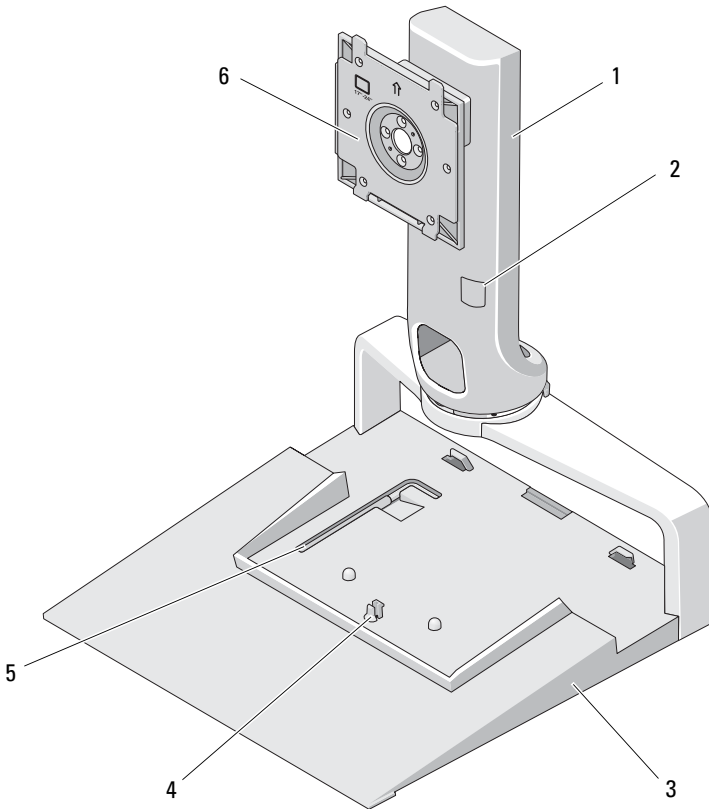
1	About Your Dell™ E-Flat Panel Stand . . . . .	5
2	Using the E-Flat Panel Stand. . . . .	7
	<b>Connecting the Riser to the Base of the Stand . . . . .</b>	<b>7</b>
	<b>Adjusting the Weight Limit for a Flat Panel Monitor . . . . .</b>	<b>8</b>
	<b>Attaching a Flat Panel Monitor to the Flat Panel Stand . . . . .</b>	<b>9</b>
	<b>Using a VESA Adapter Plate. . . . .</b>	<b>10</b>
	<b>Adjusting the Flat Panel Monitor . . . . .</b>	<b>14</b>
	<b>Connecting a Port Replicator to the Flat Panel Stand . . . . .</b>	<b>14</b>
	<b>Disconnecting a Laptop from the Port Replicator and Flat Panel Stand</b>	<b>16</b>
	<b>Disconnecting a Port Replicator from the Flat Panel Stand</b>	<b>17</b>
3	Specifications . . . . .	19
4	Finding Information . . . . .	21



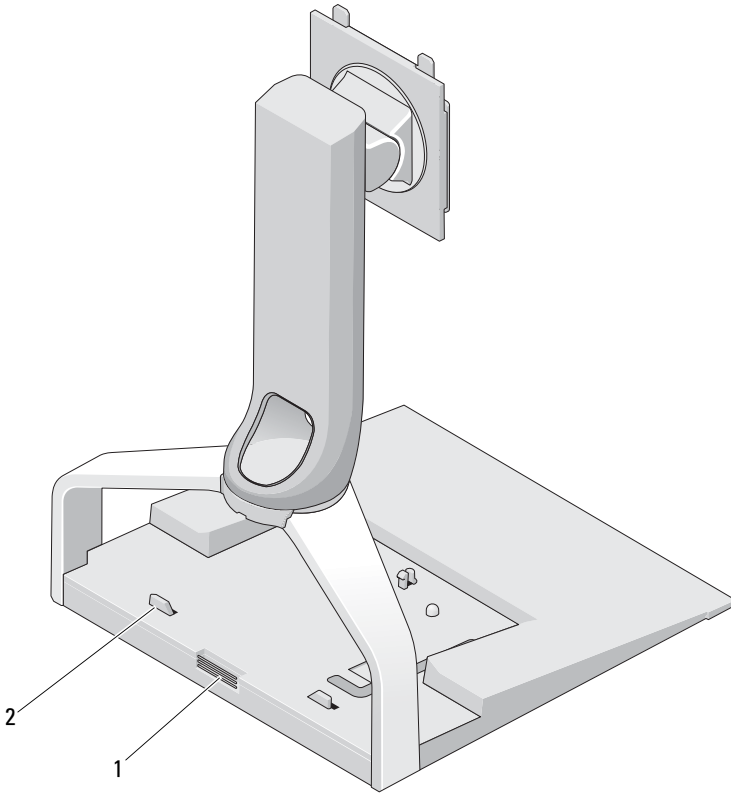
# About Your Dell™ E-Flat Panel Stand

The Dell™ E-Flat panel stand supports the following:

- 12.1-inch to 17-inch Dell E-Family laptop
- Dell E-Port and Dell E-Port Plus port replicators
- Flat panel monitors up to 24 inches



- |                                  |                                   |
|----------------------------------|-----------------------------------|
| 1 riser                          | 2 monitor weight adjustment       |
| 3 base                           | 4 release tab for port replicator |
| 5 monitor weight adjustment tool | 6 monitor attachment plate        |

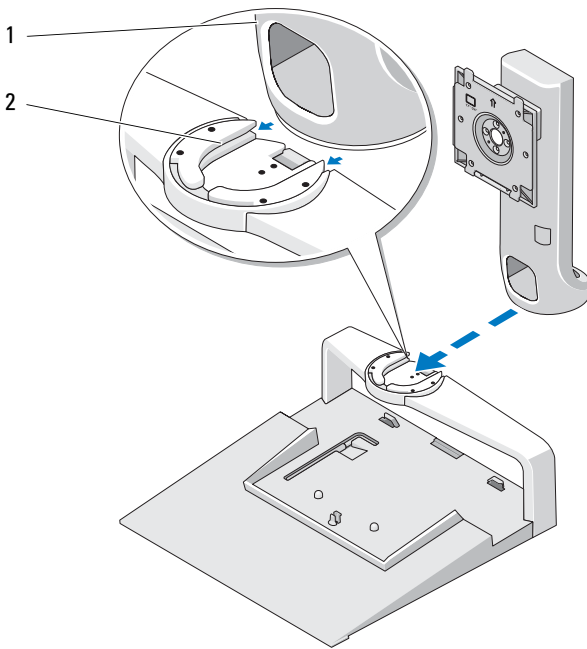


- |                                      |                                   |
|--------------------------------------|-----------------------------------|
| 1 release button for port replicator | 2 guide posts for port replicator |
|--------------------------------------|-----------------------------------|

# Using the E-Flat Panel Stand

## Connecting the Riser to the Base of the Stand

- 1 Align the front of the riser with the attachment slot.
- 2 Slide the riser into the attachment slot. You hear a click when the riser is completely engaged with the base of the stand.



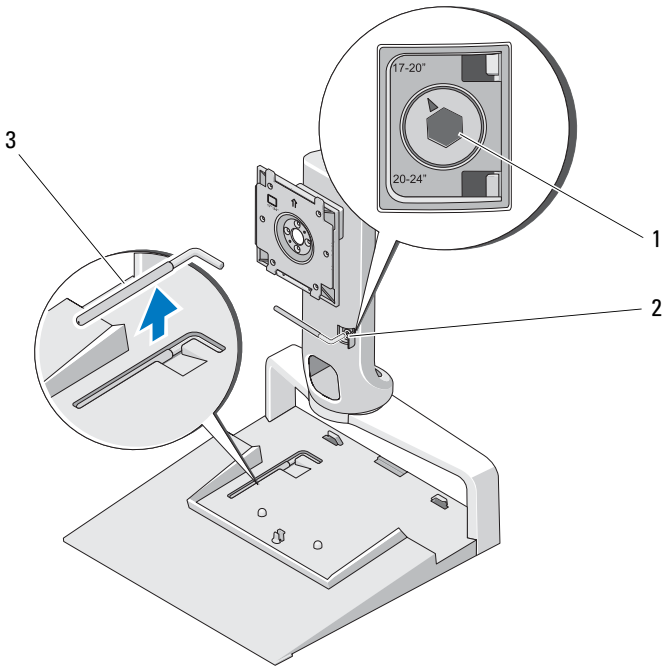
1 riser

2 attachment slot on the base of the stand

# Adjusting the Weight Limit for a Flat Panel Monitor

The default weight limit for the flat panel monitor is set for a 17-inch to 20-inch monitor. If your monitor is 20 inches to 24 inches, adjust the weight limit setting on the flat panel stand.

- 1 Remove the tool from the base of the flat panel stand.
- 2 Insert the tool into the weight limit slot.
- 3 Turn the tool counter-clockwise to point the arrow to the 20 to 24-inch setting.

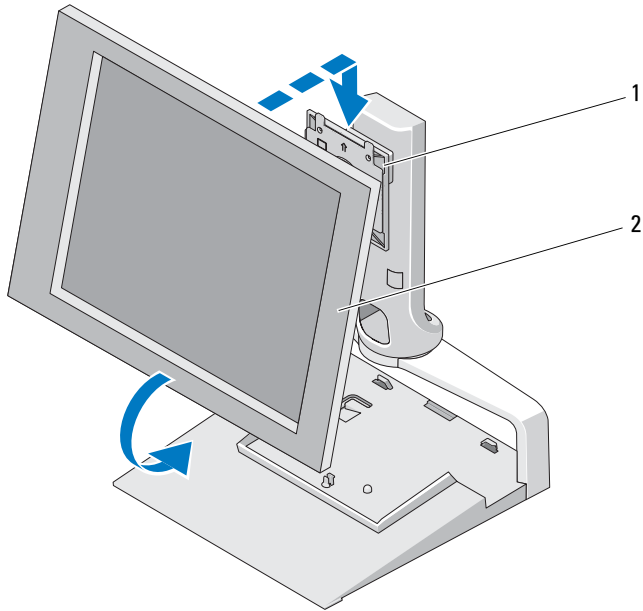


- |   |                              |   |                   |
|---|------------------------------|---|-------------------|
| 1 | magnified weight limit       | 2 | weight limit slot |
| 3 | weight limit adjustment tool |   |                   |



# Attaching a Flat Panel Monitor to the Flat Panel Stand


- 1 Align the back of the flat panel monitor with the attachment plate on the riser.
- 2 Slide the flat panel monitor onto the attachment plate, ensuring that the monitor is securely set in place.



1 attachment plate

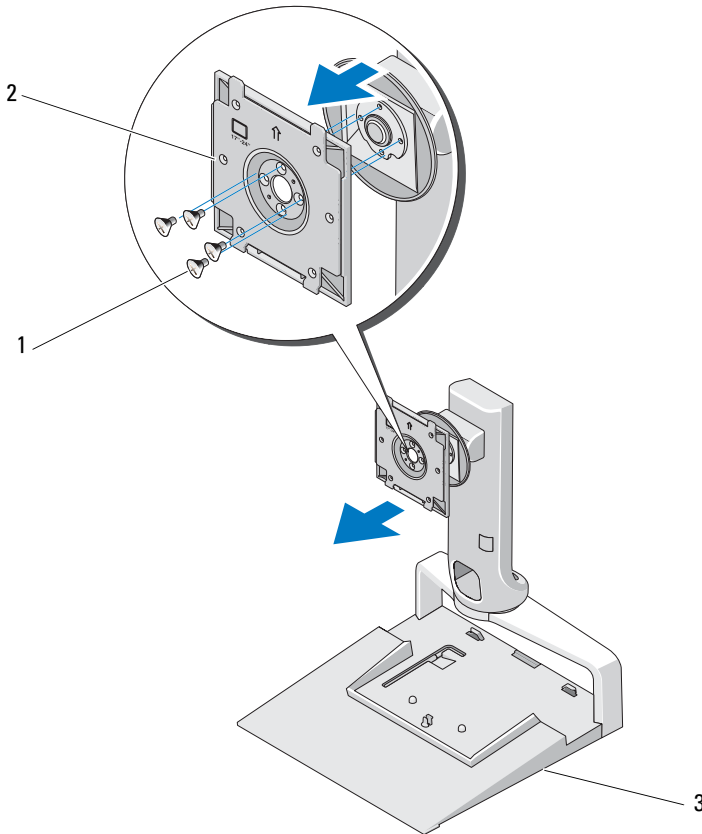
2 flat panel monitor

## Using a VESA® Adapter Plate

 **NOTE:** The VESA adapter plate is optional. See [Dell.com](http://Dell.com) for purchasing information.

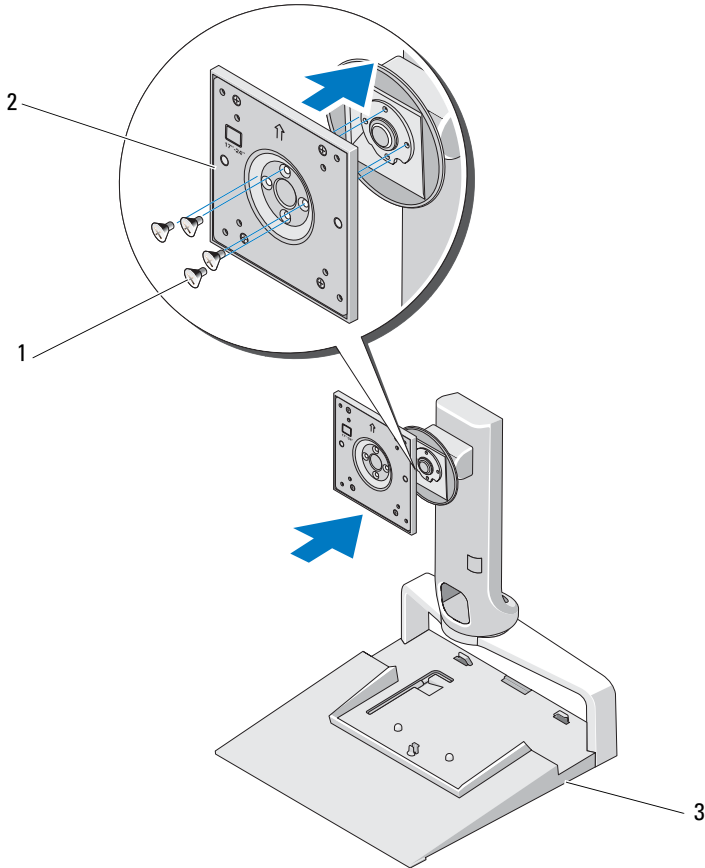
Use a VESA adapter plate to attach your monitor to the flat panel stand if your monitor does not work with the attachment plate.

- 1 Remove the four screws from the attachment plate on the flat panel stand.



- |   |                  |   |                  |
|---|------------------|---|------------------|
| 1 | screws (4)       | 2 | attachment plate |
| 3 | flat panel stand |   |                  |

- 2 Install the VESA adapter plate with the four screws that came with the adapter plate.



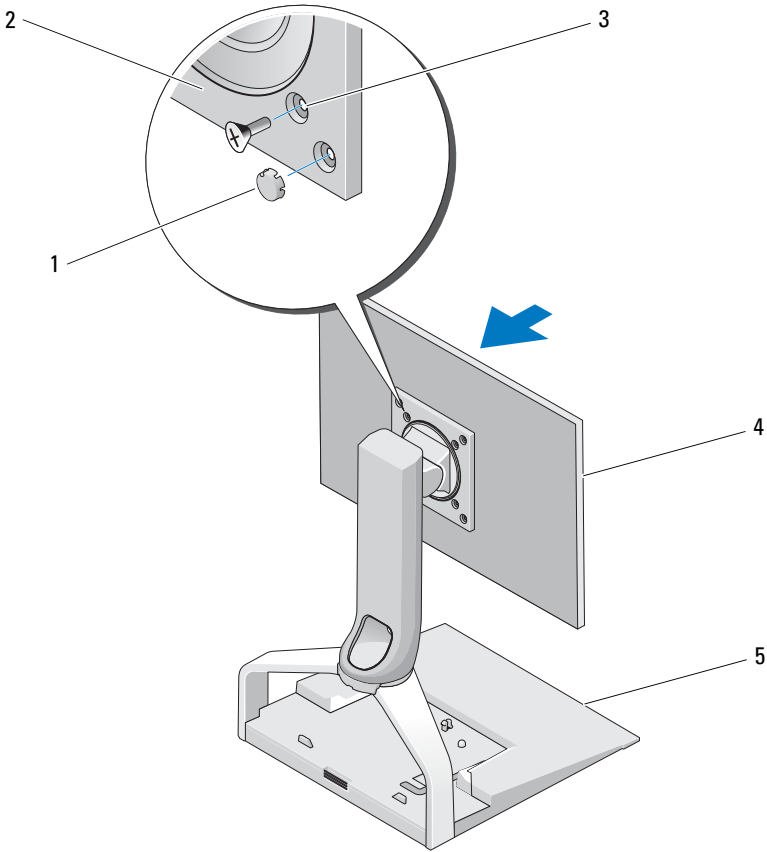
- 1 screws (4)
- 2 VESA adapter plate
- 3 flat panel stand



**NOTE:** Different standards may apply to different flat panel monitors. See the documentation that came with your monitor if you find the following information does not work for your monitor.

If your monitor is 15 inches or smaller:

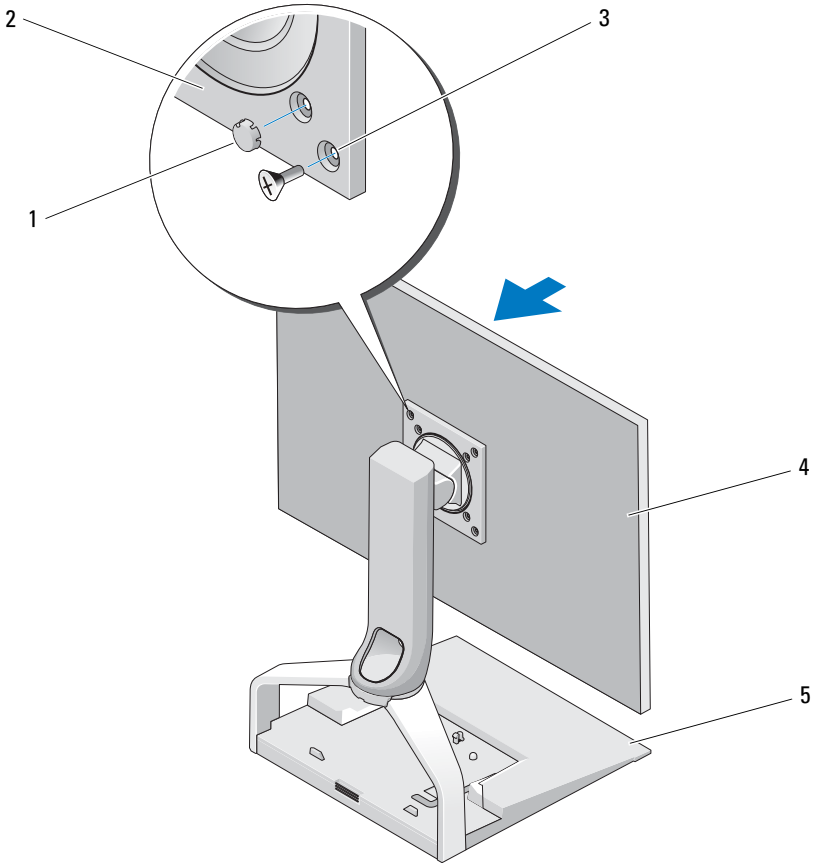
- a** Use the four holes that are closer to the center of the VESA adapter plate (diameter measures 75 mm x 75 mm between the holes).
- b** Insert the caps in the other four holes on the VESA adapter plate.
- c** Attach your monitor to the VESA adapter plate.



- |   |   |   |                    |
|---|---|---|--------------------|
| 1 | caps (4)  | 2 | VESA adapter plate |
| 3 | screw holes for monitor size 15-inches or smaller (4) | 4 | flat panel monitor |
| 5 | flat panel stand                                      |   |                    |

If your monitor is larger than 15 inches:

- a** Use the four holes closer to the outer edge of the VESA adapter plate (diameter measures 100 mm x 100 mm between the holes).
- b** Insert the caps into the other four holes on the VESA adapter plate.
- c** Attach your monitor to the VESA adapter plate.



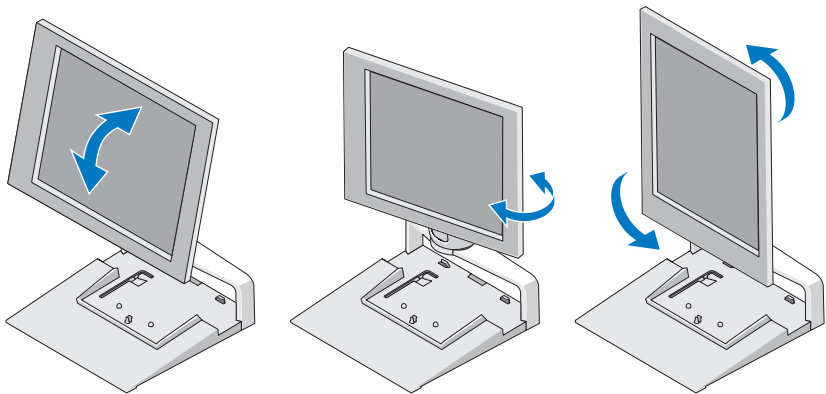
- |   |   |   |                    |
|---|---|---|--------------------|
| 1 | caps (4)  | 2 | VESA adapter plate |
| 3 | screw holes for monitor larger than 15 inches (4) | 4 | flat panel monitor |
| 5 | flat panel stand                                  |   |                    |

## Adjusting the Flat Panel Monitor

➡ **NOTICE:** If you have a laptop docked in the flat panel stand, angle the monitor up and ensure it is clear of your laptop before you change the monitor from landscape to portrait orientation.

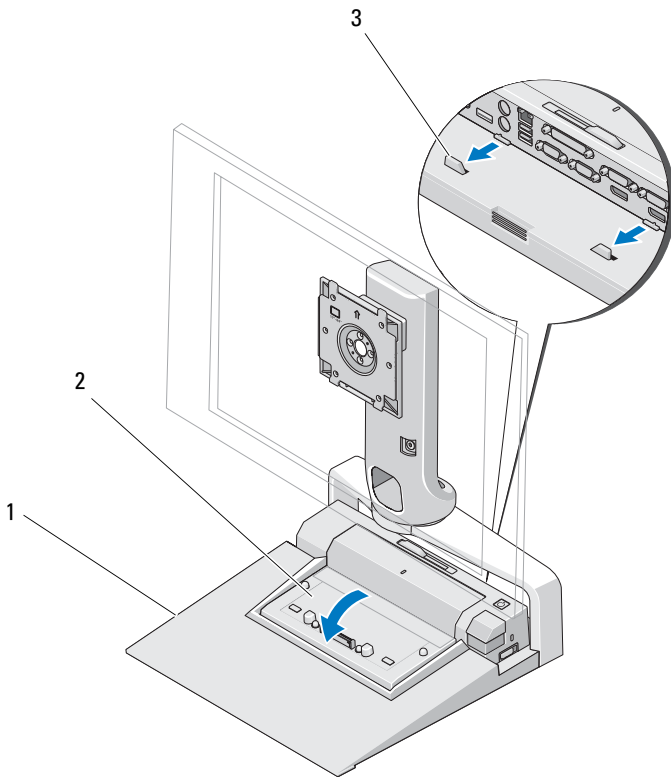
You can adjust your monitor on the flat panel stand in the following ways:

- Angle the monitor up or down.
- Raise or lower the height of the monitor.
- Rotate the monitor to the left or right.
- Rotate the monitor to landscape or portrait orientation.



# Connecting a Port Replicator to the Flat Panel Stand

- 1 With the front of the port replicator raised slightly, slide the port replicator toward the back of flat panel stand until the port replicator rests against the guide posts.
- 2 Push down on the port replicator to secure it to the release tab on the flat panel stand.



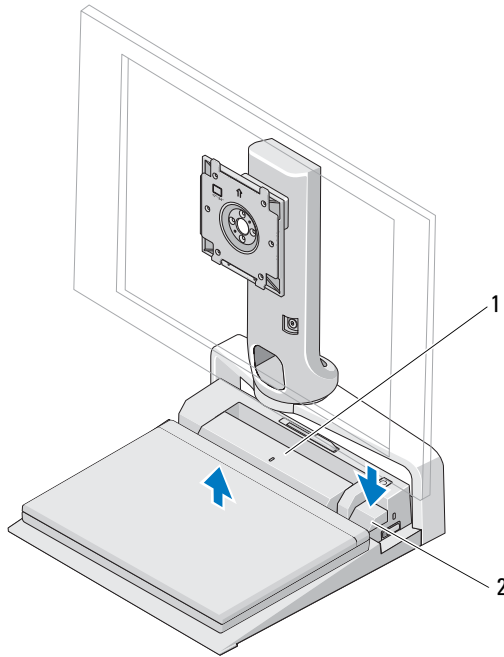
- |   |                                     |   |                 |
|---|-------------------------------------|---|-----------------|
| 1 | flat panel stand                    | 2 | port replicator |
| 3 | guide posts on the flat panel stand |   |                 |



- 3 Follow the procedures for setting up your port replicator. See the *E-Port User's Guide* or the *E-Port Plus User's Guide* that shipped with your port replicator or on [support.dell.com](http://support.dell.com).

## Disconnecting a Laptop From the Port Replicator and Flat Panel Stand

- 1 Push the eject button on the side of the port replicator.
- 2 Lift the laptop away from the port replicator and flat panel stand.

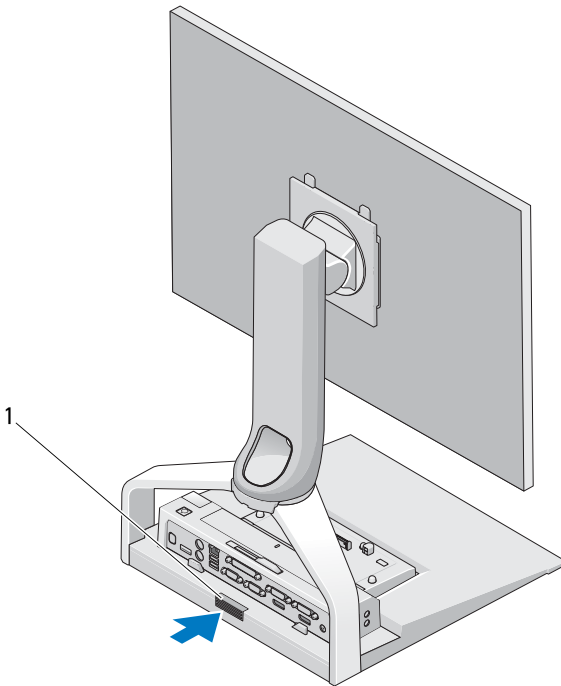


1 port replicator

2 eject button

## Disconnecting a Port Replicator From the Flat Panel Stand

- 1 Disconnect all cables from the port replicator.
- 2 Press the release button on the back of the flat panel stand, and then lift the front of the port replicator to release it from the release tab on the flat panel stand.
- 3 Remove the port replicator from the flat panel stand.



- 1 release button

# Specifications

---

**Physical**

---

Height	245 mm (9.65 inches)
Depth	410 mm (16.14 inches)
Width	375 mm (14.76 inches)
Weight	3.5 kg (7.7 lb)



# Finding Information

Documents	Contents
<p><b>Safety, Regulatory, Warranty, and Support Documentation</b></p> <p>This type of information may have shipped with your computer. For additional regulatory information, see the Regulatory Compliance Homepage on <a href="http://www.dell.com">www.dell.com</a> at the following location: <a href="http://www.dell.com/regulatory_compliance">www.dell.com/regulatory_compliance</a>.</p>	<ul style="list-style-type: none"><li>• Warranty information</li><li>• Terms and Conditions (U.S. only)</li><li>• Safety instructions</li><li>• Regulatory information</li><li>• Ergonomics information</li><li>• End User License Agreement</li></ul>

